

Snow White's Wishing Well Paper Model—License Agreement

By downloading this file and the accompanying Licensed Materials, the end user ("Licensee") agrees to conform to this License Agreement (this "Agreement") with Robert Nava, the Disney Experience website [www.disneyexperience.com] ("Licensor").

I. Content of Licensed Materials; Grant of License

The materials that are the subject of this Agreement shall consist of the Snow White's Wishing Well Paper Model in electronic and physical form (hereinafter referred to as the "Licensed Materials").

Licensee acknowledges that the copyright and title to the Licensed Materials and any trademarks or service marks relating thereto remain with Licensor and/or its suppliers. Licensee shall not have right, title or interest in the Licensed Materials except as expressly set forth in this Agreement.

Licensor hereby grants to Licensee non-exclusive use of the Licensed Materials in accordance with this Agreement.

II. Access of Licensed Materials to Licensee

Licensor will provide the Licensed Materials to the Licensee in the following manner:

File Transfer. Copies of the Licensed Materials will be provided to the Licensee through the Disney Experience website at the sole discretion of the Licensor.

III. Fees

Licensee is required to make no payment to Licensor for use of the Licensed Materials.

IV. Authorized Use of Licensed Materials

Authorized Uses. Licensee may make all use of the Licensed Materials as is consistent with the Fair Use Provisions of United States and international law. Nothing in this Agreement is intended to limit in any way whatsoever Licensee's rights under the Fair Use provisions of United States or international law to use the Licensed Materials.

The Licensed Materials may be used for purposes of research, education or other non-commercial use as follows:

Archival/Backup Copy. Upon request of Licensee, Licensee may create one (1) copy of the entire set of Licensed Materials to be maintained as a backup or archival copy during the term of this Agreement.

V. Specific Restrictions on Use of Licensed Materials

Unauthorized Use. Licensee shall not knowingly permit anyone other to use the Licensed Materials.

Modification of Licensed Materials. Licensee shall not modify or create a derivative work of the Licensed Materials without the prior written permission of Licensor.

Removal of Copyright Notice. Licensee may not remove, obscure or modify any copyright or other notices included in the Licensed Materials.

Distribution Rights. Licensee has no rights to transfer, host, or re-distribute the Licensed Materials or its derivatives under any circumstances or by any means available now or in the future.

Commercial Purposes. Other than as specifically permitted in this Agreement, Licensee may not use the Licensed Materials for commercial purposes, including but not limited to the sale of the Licensed Materials or bulk reproduction or distribution of the Licensed Materials in any form.

VI. Licensor Performance Obligations

Availability of Licensed Materials. Licensor shall make the Licensed Materials available to Licensee at his/her discretion.

Notification of Modifications of Licensed Materials. Licensee understands that from time to time the Licensed Materials may be added to, modified, or deleted from by Licensor and/or that portions of the Licensed Materials may migrate to other formats.

Completeness of Content. Where applicable, Licensor will inform Licensee of instances where online content differs from the print versions of the Licensed Materials.

Where applicable, Licensor shall use reasonable efforts to ensure that the online content is at least as complete as print versions of the Licensed Materials, represents complete, accurate and timely replications of the corresponding content contained within the print versions of such Materials, and will cooperate with Licensee to identify and correct errors or omissions.

Withdrawal of Licensed Materials. Licensor reserves the right to withdraw from the Licensed Materials any item or part of an item for which it no longer retains the right to publish, or which it has reasonable grounds to believe infringes copyright or is defamatory, obscene, unlawful or otherwise objectionable.

VII. Licensee Performance Obligations

Protection from Unauthorized Use. Licensee shall use reasonable efforts to protect the Licensed Materials from any use that is not permitted under this Agreement. In the event of any unauthorized use of the Licensed Materials by an Authorized User, (a) Licensor may terminate such Authorized User's access to the Licensed Materials, (b) Licensor may terminate the access of the Internet Protocol ("IP") address(es) from which such unauthorized use occurred, and/or (c) Licensee shall terminate such Authorized User's access to the Licensed Materials upon Licensor's request. Licensor shall take none of the steps described in this paragraph without first providing reasonable notice to Licensee and cooperating with the Licensee to avoid recurrence of any unauthorized use.

VIII. Early Termination

In the event that either party believes that the other materially has breached any obligations under this Agreement, or if Licensor believes that Licensee has exceeded the scope of the License, such party shall so notify the breaching party in writing. The breaching party shall have 1 week from the receipt of notice to cure the alleged breach and to notify the non-breaching party in writing that cure has been effected. If the breach is not cured within the 1 week, the non-breaching party shall have the right to terminate the Agreement without further notice.

Upon Termination of this Agreement for cause online access to the Licensed Materials by Licensee and shall be terminated. Authorized copies of digital Licensed Materials must be destroyed immediately.

IX. Perpetual License

Except for termination for cause, Licensor hereby grants to Licensee a nonexclusive, royalty-free, perpetual license to use any Licensed Materials that were accessible during the term of this Agreement. Such use shall be in accordance with the provisions of this Agreement. The means by which Licensee shall have access to such Licensed Materials shall be in a manner and form substantially equivalent to the means by which access is provided under this Agreement.

X. Warranties

Subject to the Limitations set forth elsewhere in this Agreement:

Licensor warrants that it has the right to license the rights granted under this Agreement to use Licensed Materials, that it has obtained any and all necessary permissions from third parties to license the Licensed Materials, and that use of the Licensed Materials by Authorized Users in accordance with the terms of this Agreement shall not infringe the copyright of any third party.

XI. Limitations on Warranties

Notwithstanding anything else in this Agreement:

Neither party shall be liable for any indirect, special, incidental, punitive or consequential damages, including but not limited to loss of data, business interruption, or loss of profits, arising out of the use of or the inability to use the Licensed Materials.

Licensor makes no representation or warranty, and expressly disclaims any liability with respect to the content of any Licensed Materials, including but not limited to errors or omissions contained therein, libel, infringement of rights of publicity, privacy, trademark rights, moral rights, or the disclosure of confidential information.

Except for the express warranties stated herein, the Licensed Materials are provided on an "as is" basis, and Licensor disclaims any and all other warranties, conditions, or representations (express, implied, oral or written), relating to the Licensed Materials or any part thereof, including, without limitation, any and all implied warranties of quality, performance, merchantability or fitness for a particular purpose. Licensor makes no warranties respecting any harm that may be caused by the transmission of a computer virus, worm, time bomb, logic bomb or other such computer program. Licensor further expressly disclaims any warranty or representation to Authorized Users, or to any third party.

XII. Assignment and Transfer

Neither party may assign, directly or indirectly, all or part of its rights or obligations under this Agreement without the prior written consent of the other party, which consent shall not be unreasonably withheld or delayed.

XIII. Governing Law

This Agreement shall be interpreted and construed according to, and governed by, the laws of California, excluding any such laws that might direct the application of the laws of another jurisdiction. The federal or state courts located in California shall have jurisdiction to hear any dispute under this Agreement.

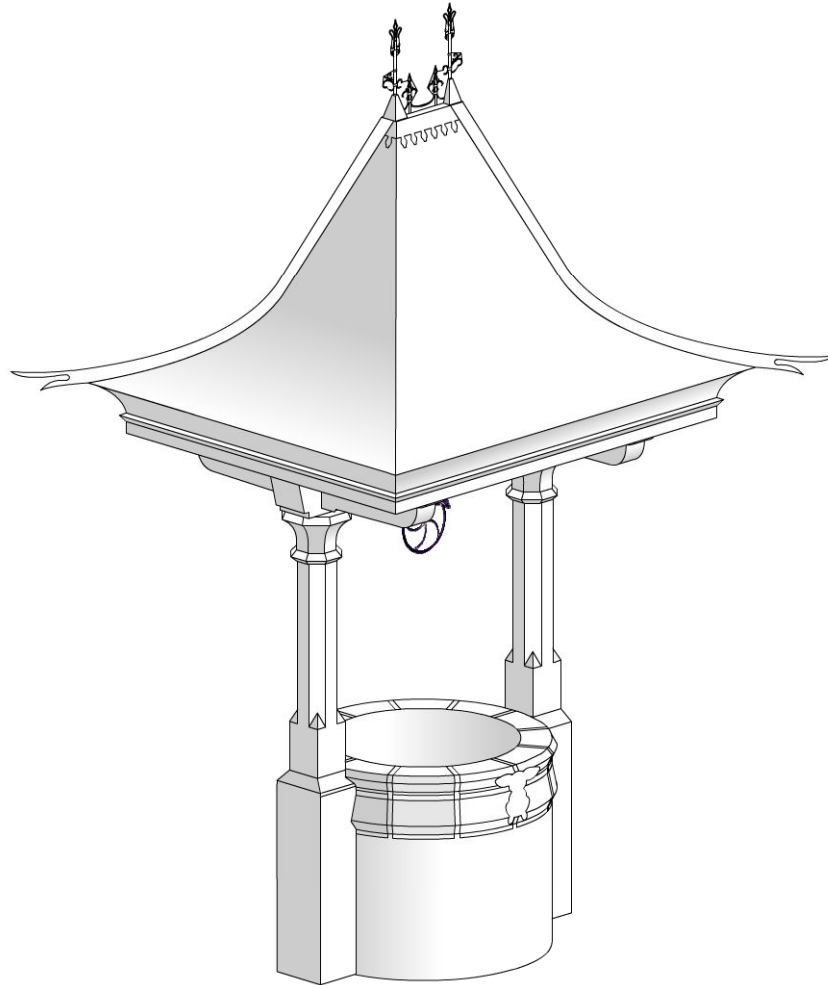
XIV. Entire Agreement

This Agreement constitutes the entire agreement of the parties and supersedes all prior communications, understandings and agreements relating to the subject matter hereof, whether oral or written.

XV. Amendment

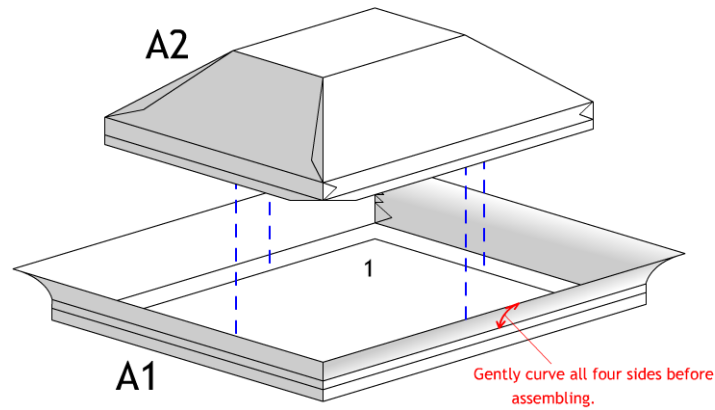
No modification or claimed waiver of any provision of this Agreement shall be valid except by written amendment signed by authorized representatives of Licensor and Licensee.

Snow White's WISHING WELL

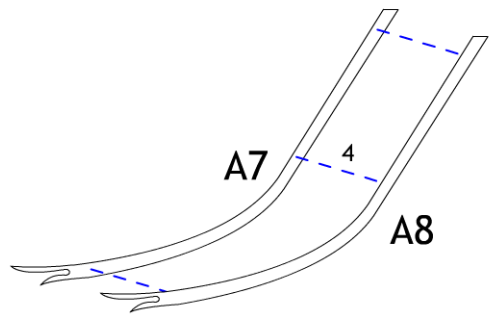
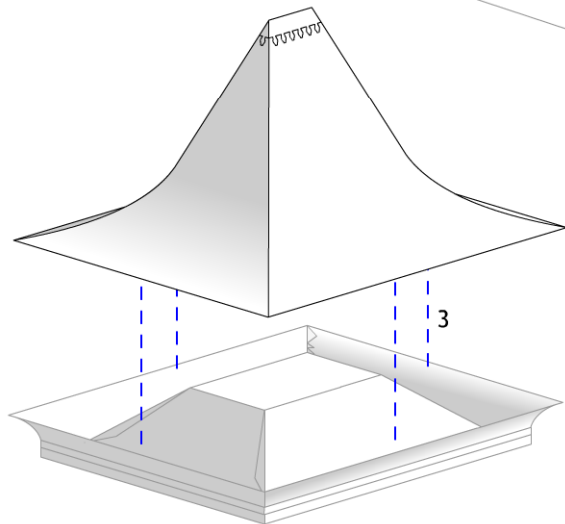
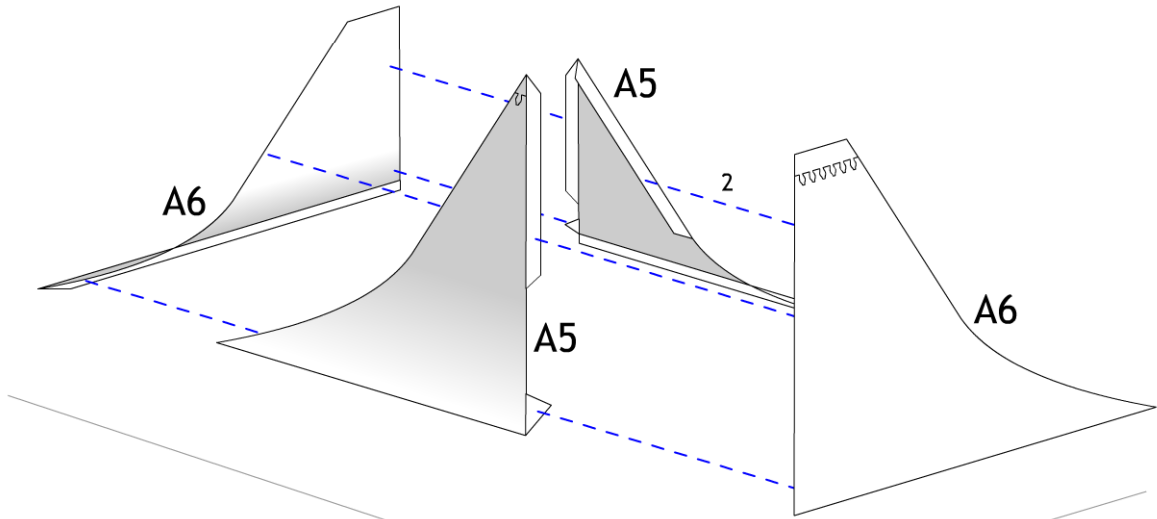


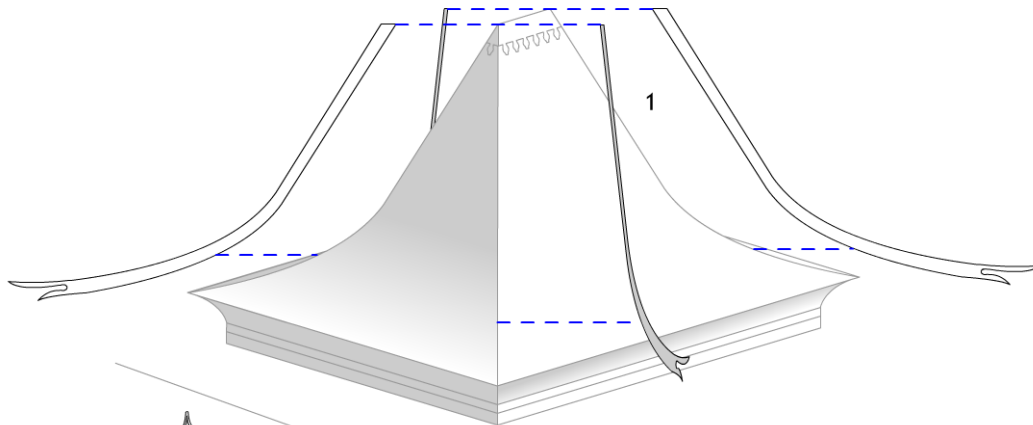
Look through the pages and become acquainted with the various pieces. Read the instructions and study the illustrations to know what/where to cut/fold. Before gluing, always dry-fit the pieces to ensure that they fit. If they don't fit, you may have the wrong pieces.

When assembling the model and following the instructions, do not take the illustrations too literally. In many cases, pieces will be simplified. Other times, pieces (or entire sections) may be missing that were once displayed. This does not mean you should disassemble your model—ever.

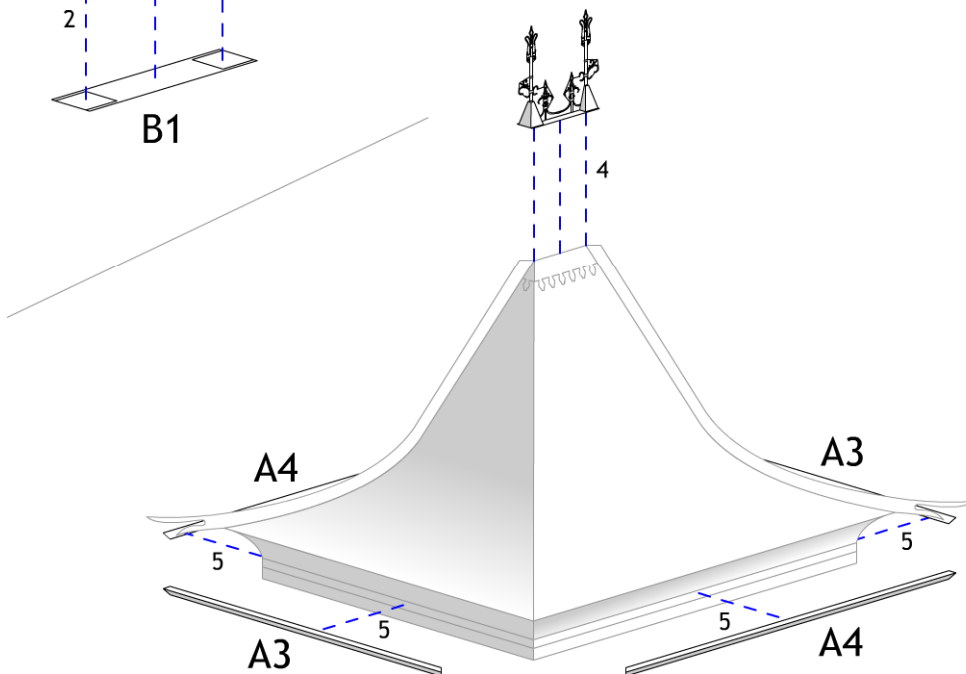
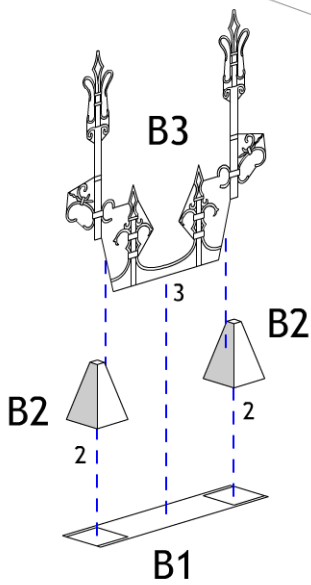


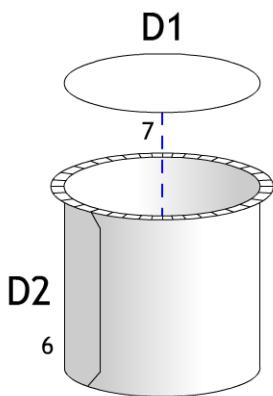
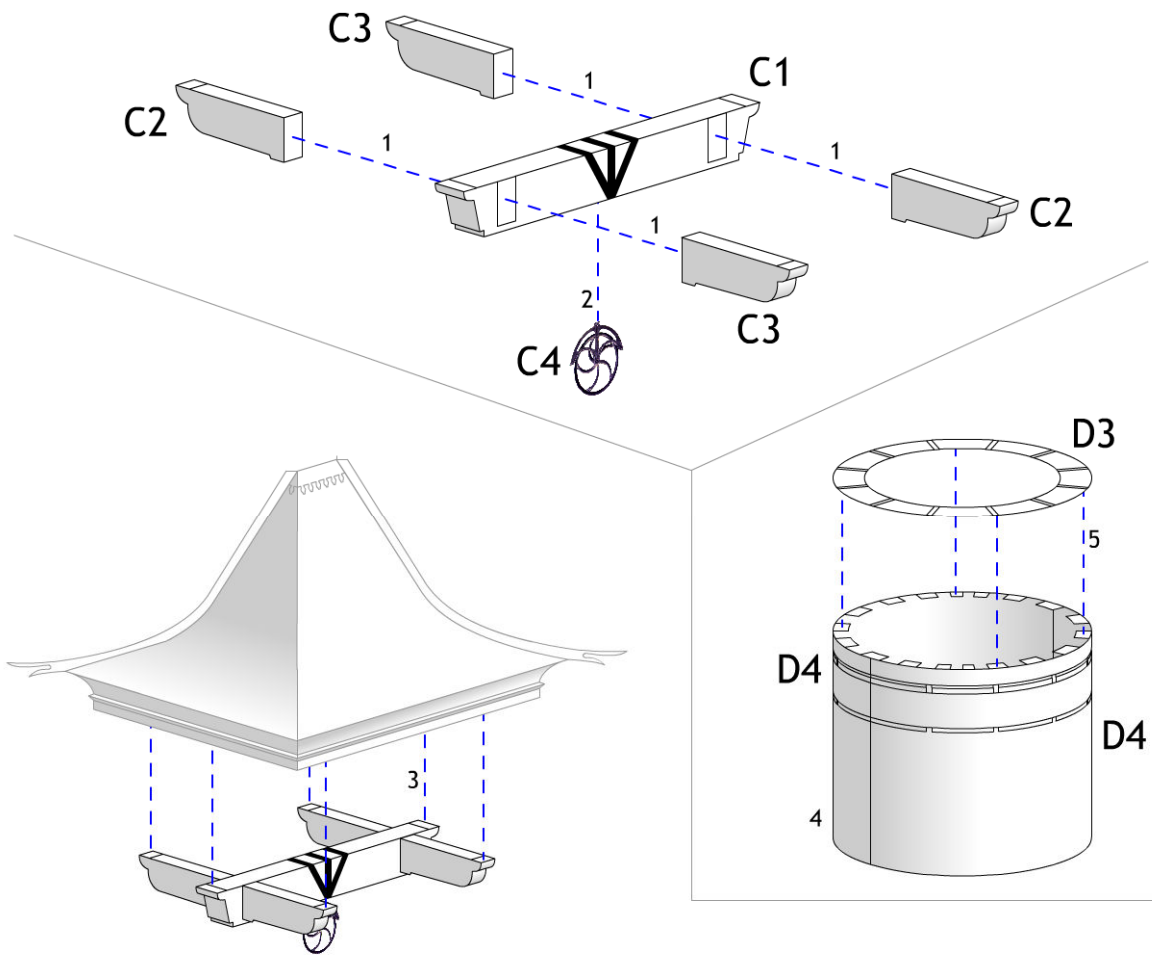
1. For effective flaring and easier assembly, gently curve all four sides as indicated. Fold and glue piece A1 to itself as shown, then fold and glue piece A2 to itself as shown. Glue piece A2 to the inside of piece A1, forming the lower roof assembly.
2. Glue pieces A5 and A6 to each other, forming the upper roof assembly.
3. Glue the upper roof assembly to the inside of the lower roof assembly.
4. Glue pieces A7 to pieces A8.



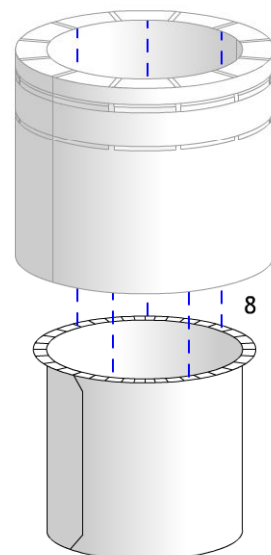


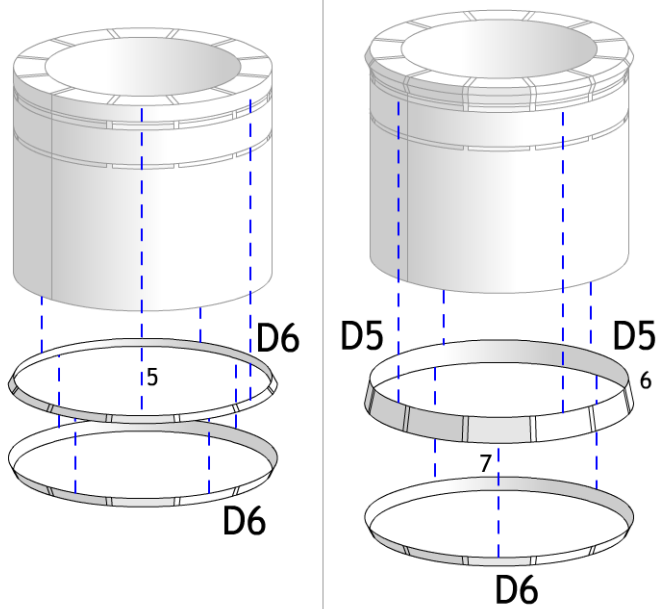
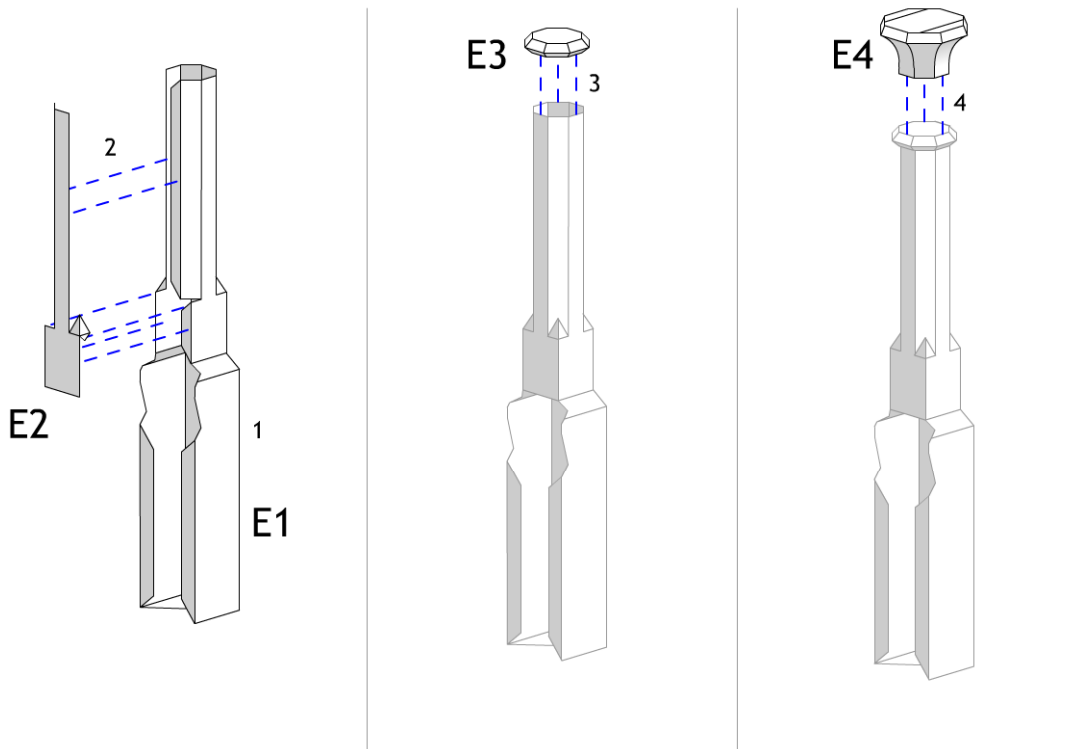
1. Glue the roof decoration pieces to the corners of the roof assembly.
2. Fold and glue pieces B2 to themselves as shown. Glue pieces B2 to piece B1.
3. Fold and glue piece B3 to itself. Glue piece B3 to the center of pieces B1 & B2, forming the ironwork decoration.
4. Glue the ironwork decoration to the top of the roof assembly.
5. Fold and glue pieces A3 & A4 to the sides of the roof assembly as shown.



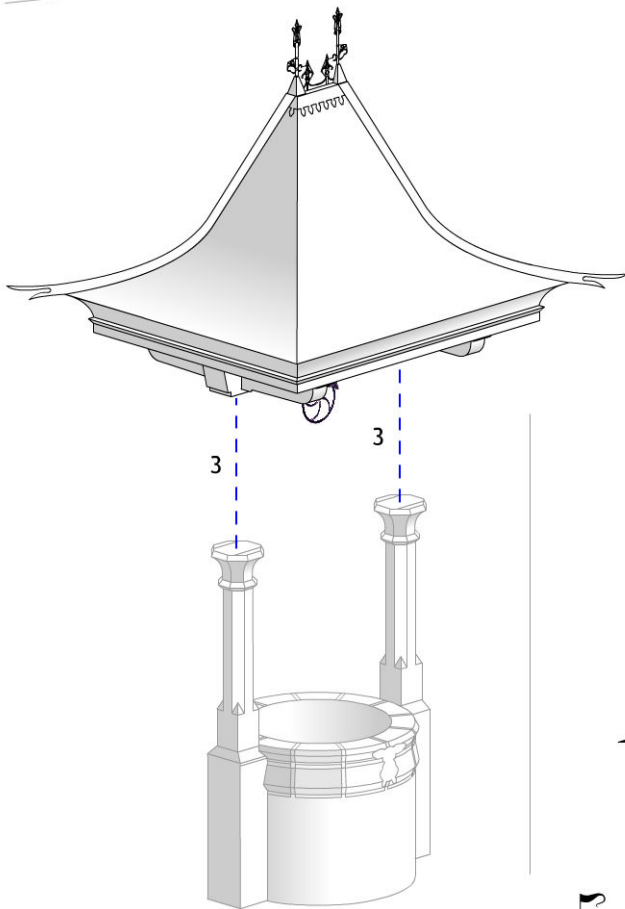
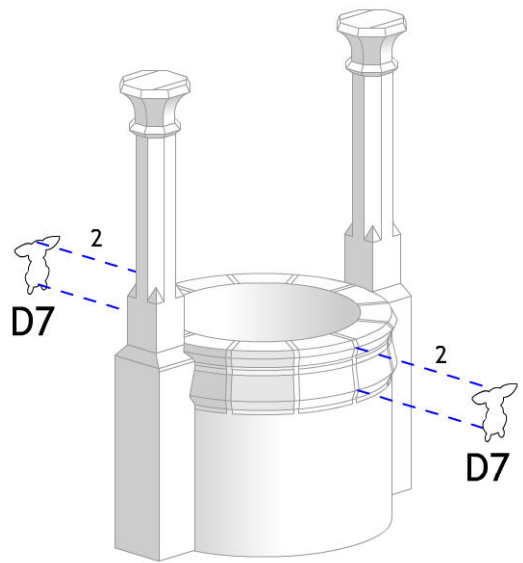
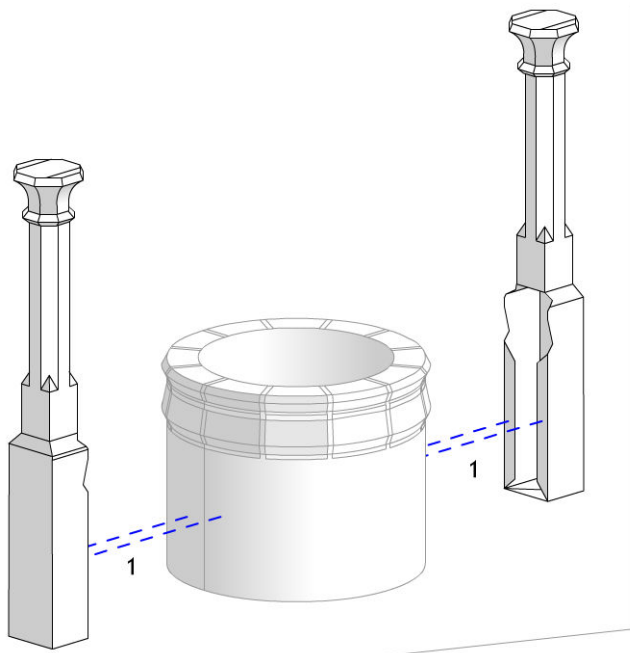


1. Fold and glue pieces C1-C4 to themselves as shown. Glue pieces C2 & C3 to piece C1. The text should face outwards.
2. Glue piece C4 to the bottom of piece C1.
3. Glue the support structure to the bottom of the roof assembly.
4. Glue pieces D4 to each other.
5. Glue piece D3 to the top of pieces D4.
6. Glue piece D2 to itself, making sure that the stonework faces inward and that the dark, shaded area is on the bottom.
7. Glue piece D1 to the bottom, inside tabs of piece D2.
8. Glue the inner well assembly to the underside of piece D3.





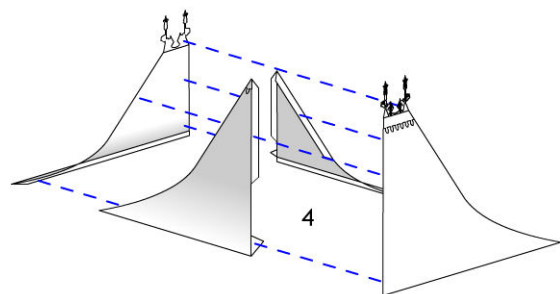
1. Fold and glue pieces E1 to themselves as shown.
2. Glue pieces E2 to pieces E1.
3. Fold and glue pieces E3 to themselves as shown, then glue over the top of the column assembly.
4. Fold and glue pieces E4 to themselves, then glue to pieces E3. Note the direction of the white area on top of pieces E4 in relationship to the column assembly.
5. Glue pieces D6 to themselves. Slide pieces D6 (one at a time) over the outside of the well assembly as shown and glue them in place.
6. Glue pieces D5 to each other as shown.
7. Slide pieces D5 & D6 (one at a time) over the outside of the well assembly as shown and glue them in place.

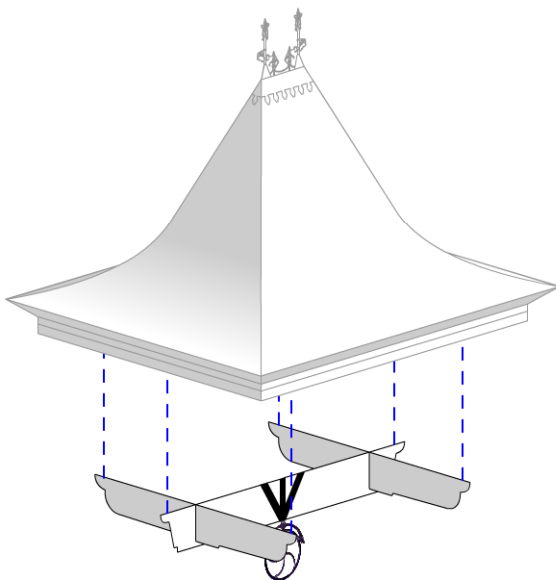
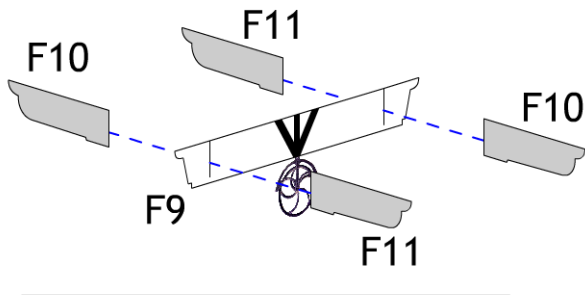
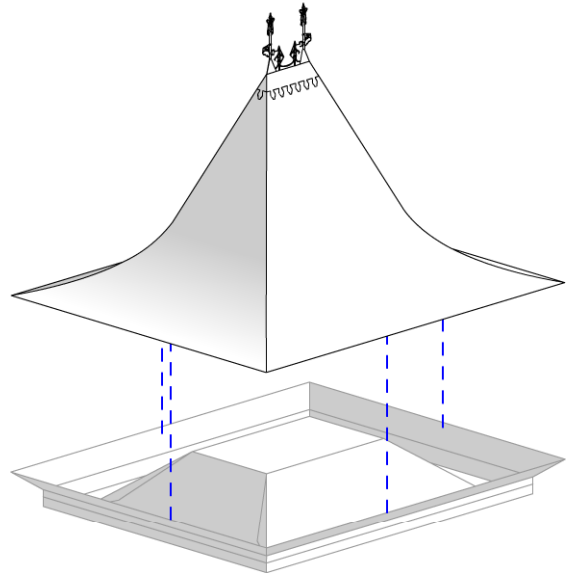
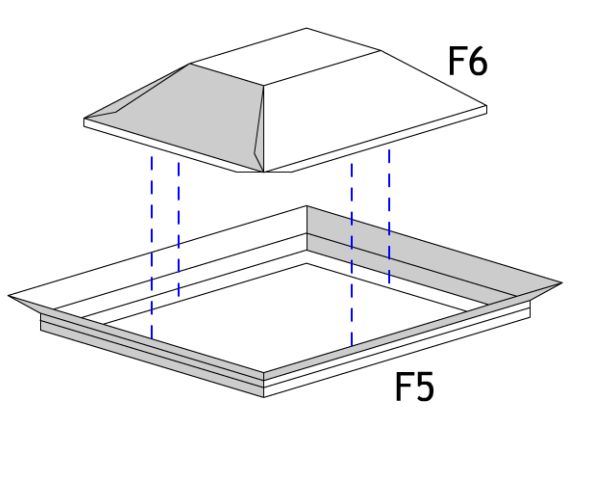


1. Glue the column assemblies to the sides of the well assembly, lining them over the seams.
2. Glue pieces D7 to the sides of the well assembly, centering them between the columns.
3. Glue the roof assembly to the tops of the columns.

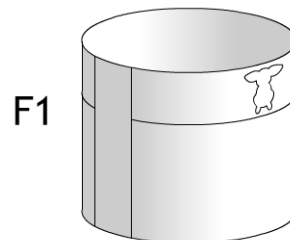
—BONUS MODEL INSTRUCTIONS—

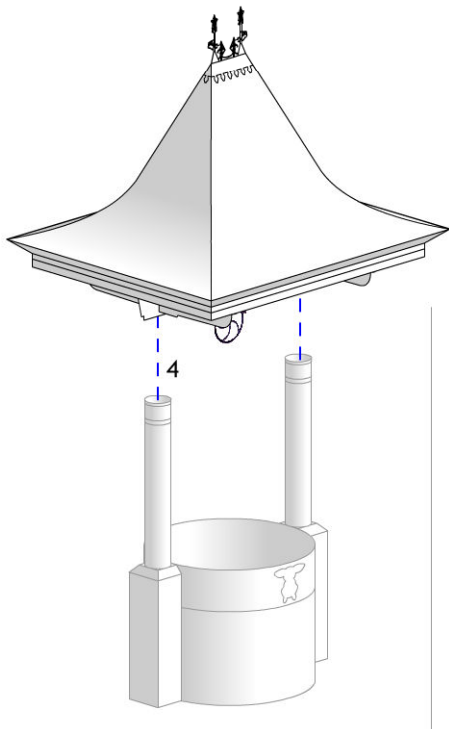
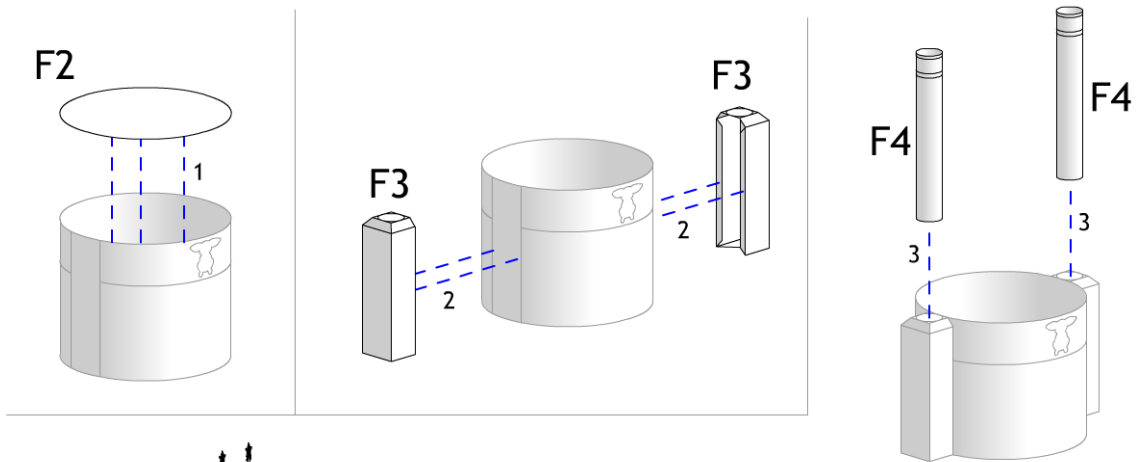
4. Glue pieces F7 & F8 to each other as shown, forming the upper roof assembly.



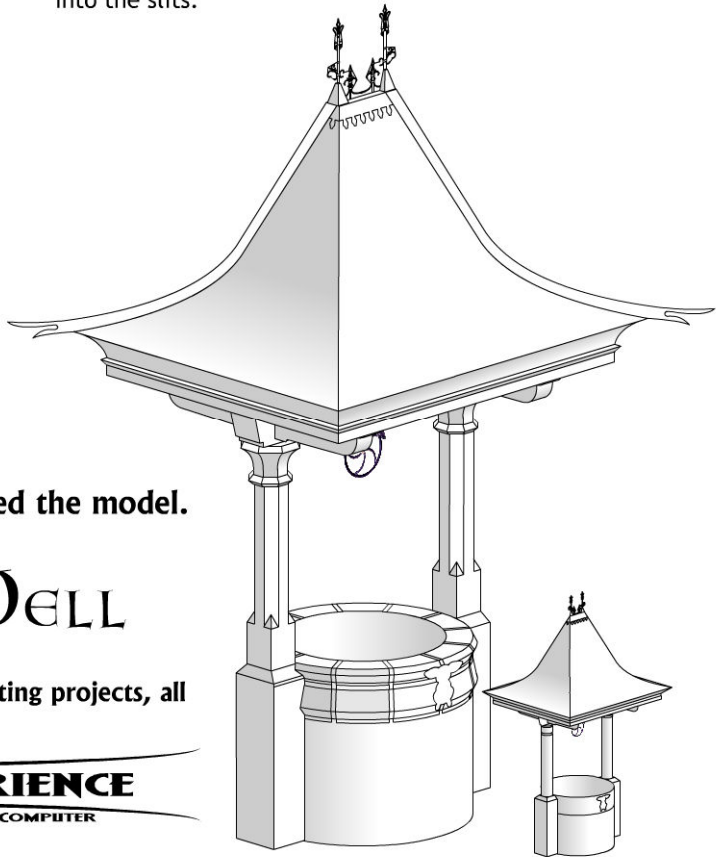


1. Glue pieces F5 & F6 to themselves as shown. Glue piece F6 to the inside of piece F5.
2. Glue the upper roof assembly to the lower roof assembly.
3. Fold and glue pieces F9-F10 to themselves. Glue pieces F10 & F11 to piece F9. The text should face outward.
4. Glue the support assembly to the bottom of the roof assembly.
5. Fold and glue piece F1 to itself as shown, sandwiching the tab between the two sides. Make sure that the rabbits are on the outside.





1. Glue piece F2 to the inner bottom tabs of piece F1.
2. Fold and glue pieces F3 to themselves as shown, then glue them to the sides of piece F1.
3. Glue pieces F4 to themselves, then glue them to the tops of pieces F3.
4. Glue the roof assembly to the tops of the columns, fitting it into the slits.



Congratulations! You've completed the model.

Snow White's WISHING WELL

Download and create even more enchanting projects, all waiting for you at

THE DISNEY EXPERIENCE

ADD A TOUCH OF DISNEY MAGIC TO YOUR COMPUTER

WWW.DISNEYEXPERIENCE.COM